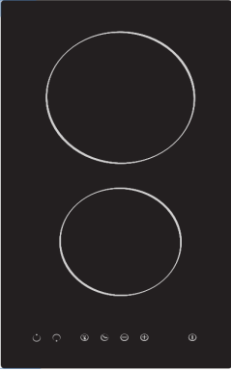


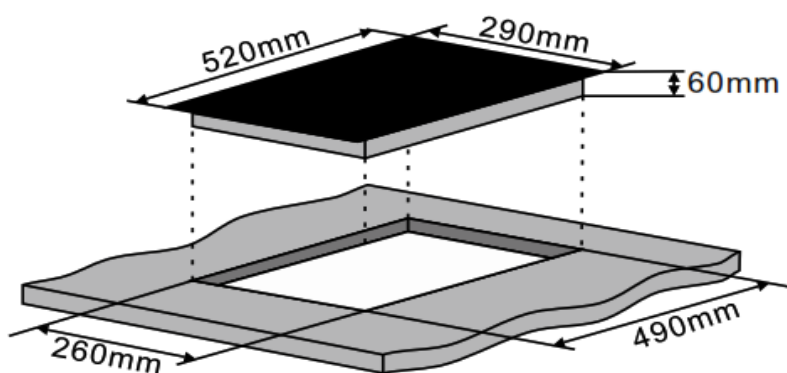
Appliance Data Sheet

Product Type	Electric Hob
Product Code	CUL30TC
	Product Description
	30cm Ceramic Hob

Features/Specifications

Barcode	8422248613781
Colour	Black
Hob Surface Material	Ceramic
No of Cooking Zones	2
Heat Indicator Light	Yes
Timer	Yes (up to 15 Minutes operation)
Child Safety Lock	Yes
Type of Control	Sensor Touch Control
Number of Power Levels	9
Keep Warm Function	No
Boost Function	No

Dimensions and Technical Information



Product Dimensions width x depth x height	290 x 520 x 65mm
Packed Dimensions width x depth x height	350 x 590 x 97mm
Product Weight (kg)	4.7kg Packed / 4.2kg Unpacked
Cut Out Dimension	270 x 490mm
Total Power	3000W
Supply Connection	16A